

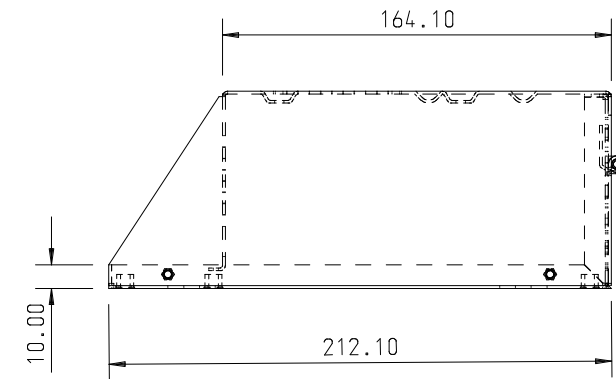
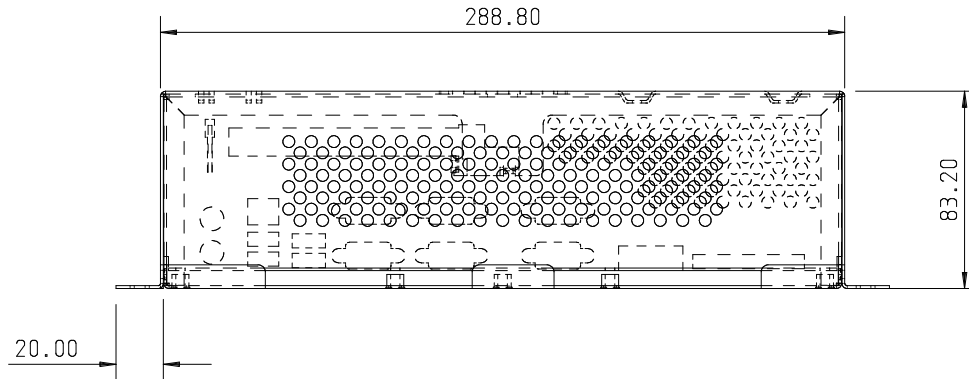
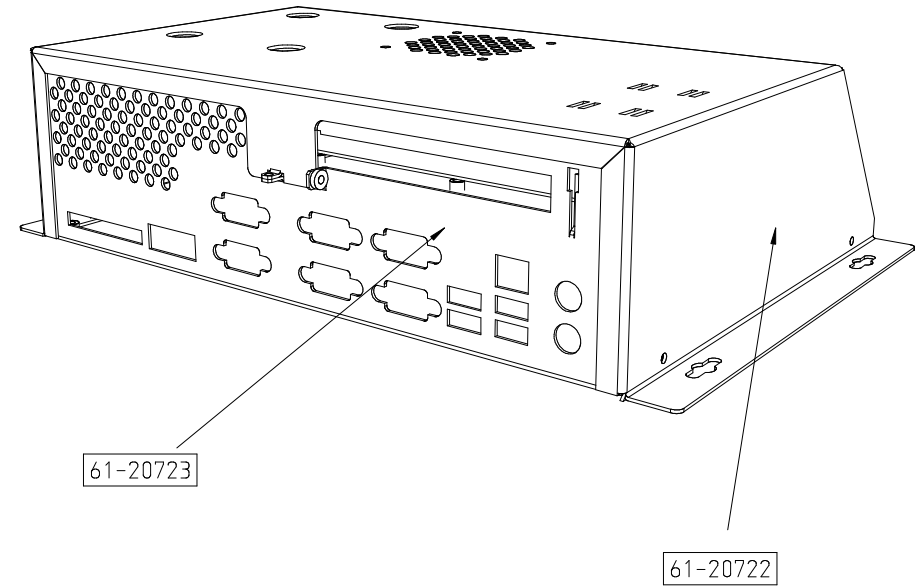
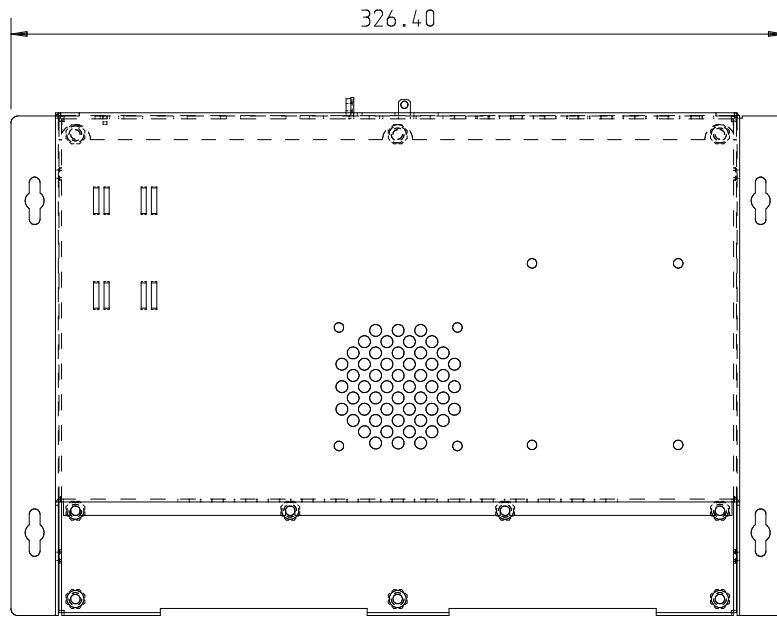
THIRD ANGLE PROJECTION 

ALL DIMENSIONS IN MILLIMETERS

DO NOT SCALE

IF IN DOUBT ASK

REMOVE ALL BURRS AND SHARP EDGES



Issue	Date	Modification	Init
1	07/04/09	Part No brought into line with Heber	

Drawn By  
M.Cleaver  
Customer  
Heber

BROXTON INDUSTRIES Ltd  
General Tolerance  
Unless Otherwise  
Linear +/- 0.25mm  
Angular +/- 0.5 Deg

Material  
1.2mm Galv.  
Title  
Nucleus Assy

Finish  
Part No  
61-20668