

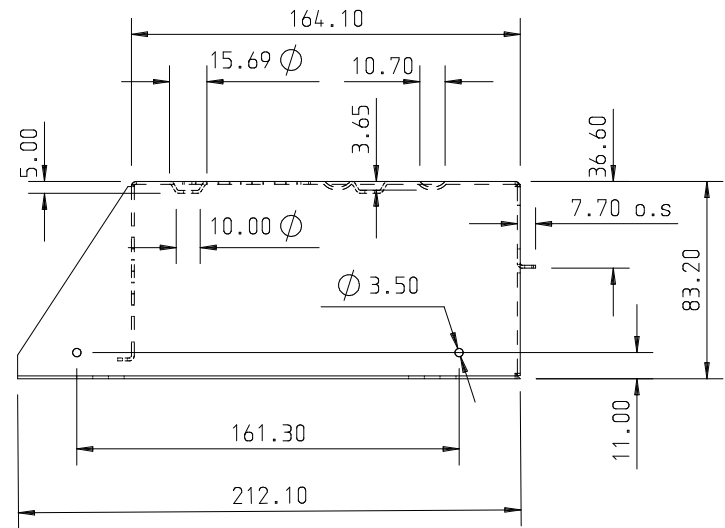
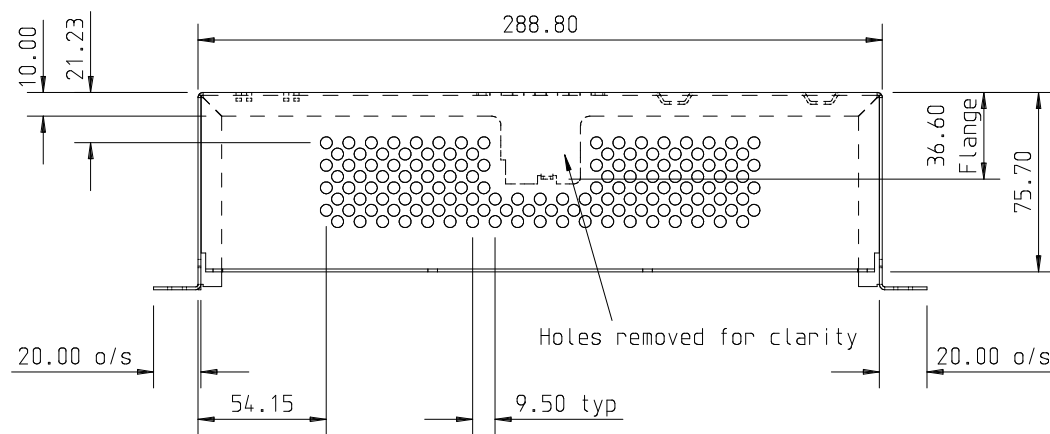
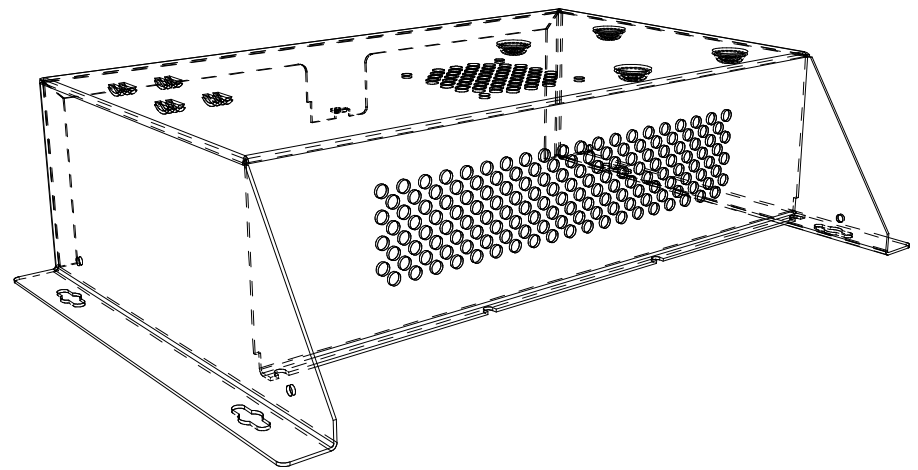
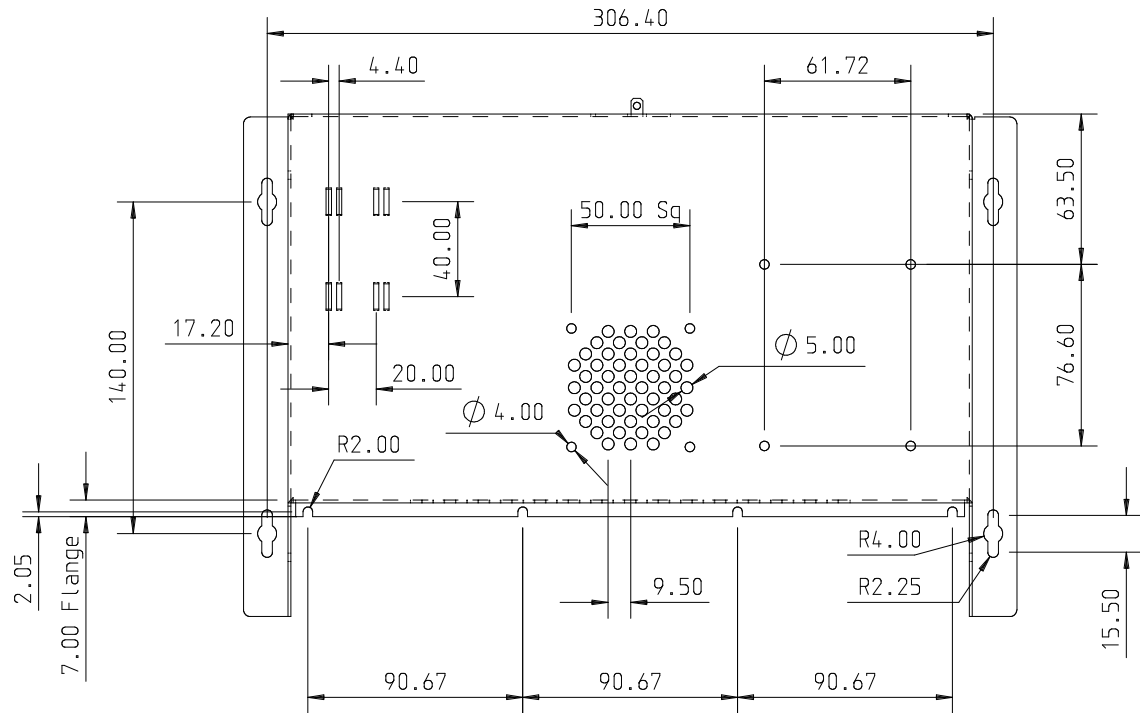
THIRD ANGLE PROJECTION

ALL DIMENSIONS IN MILLIMETERS

DO NOT SCALE

IF IN DOUBT ASK

REMOVE ALL BURRS AND SHARP EDGES



Issue	Date	Modification	Init
1	01/06/09	Part No brought into line with Heber with slight changes	
2	19/06/09	Up-issued - Side flanges increased & flange moved down by 5mm	
3	08/07/09	Up-issued - Customer changes - VERY slight changes	

Drawn By
M.Cleaver
Customer
Heber

BROXTON INDUSTRIES Ltd
General Tolerance
Unless Otherwise
Linear +/- 0.25mm
Angular +/- 0.5 Deg

Material
1.2mm Galv.
Title
Cover - Nucleus

Finish
Part No
61-20723