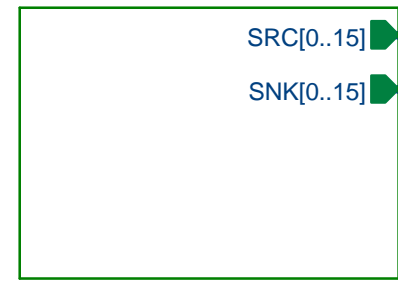


Sheet 02 - RGB LED 1 - 45



Sheet 02 - RGB LED 1 - 45

Sheet 05 - Power / RS232



Sheet 05 - Power / RS232

Sheet 03 - RGB LED 46 - 64



Sheet 03 - RGB LED 46 - 64

Sheet 04 - DIGITS



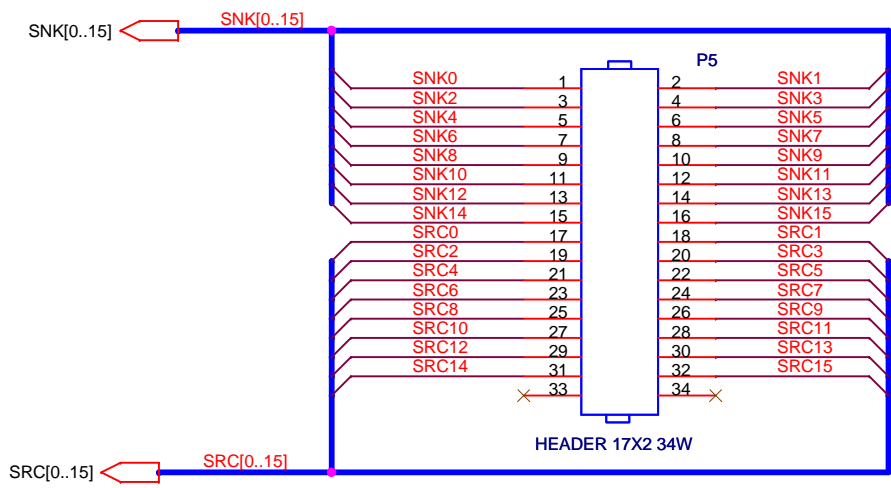
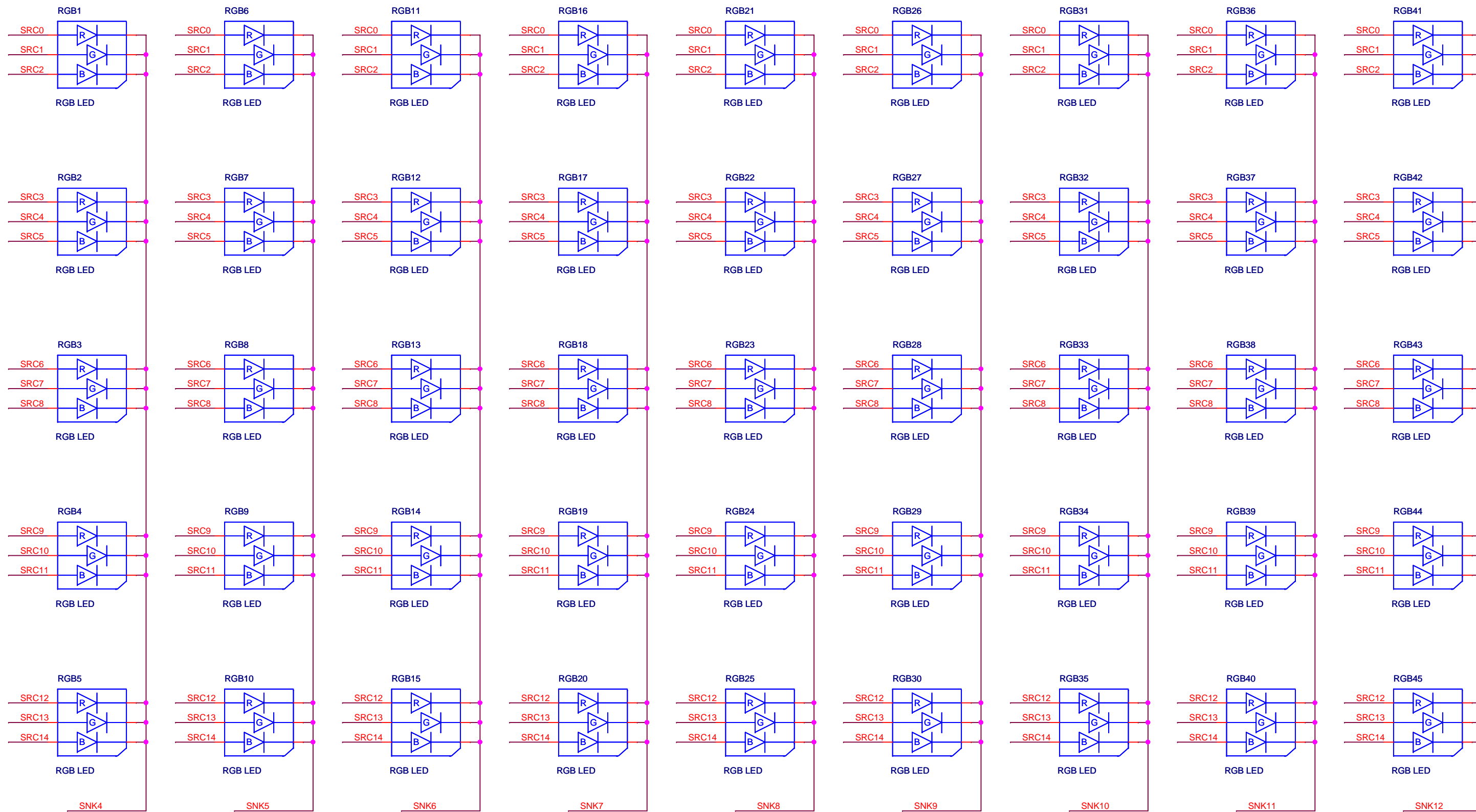
Sheet 04 - DIGITS

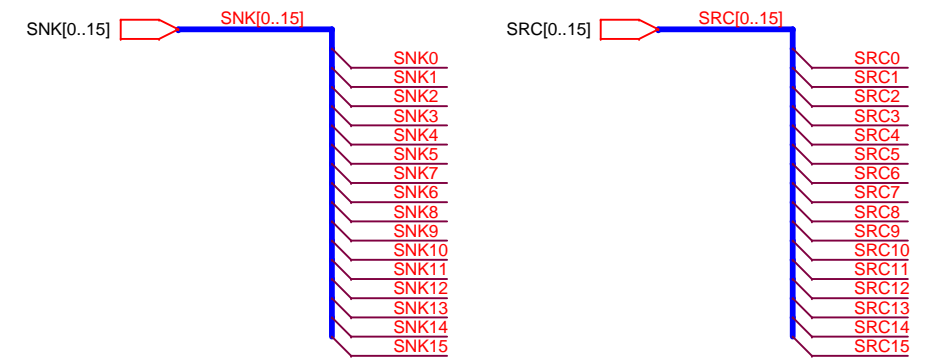
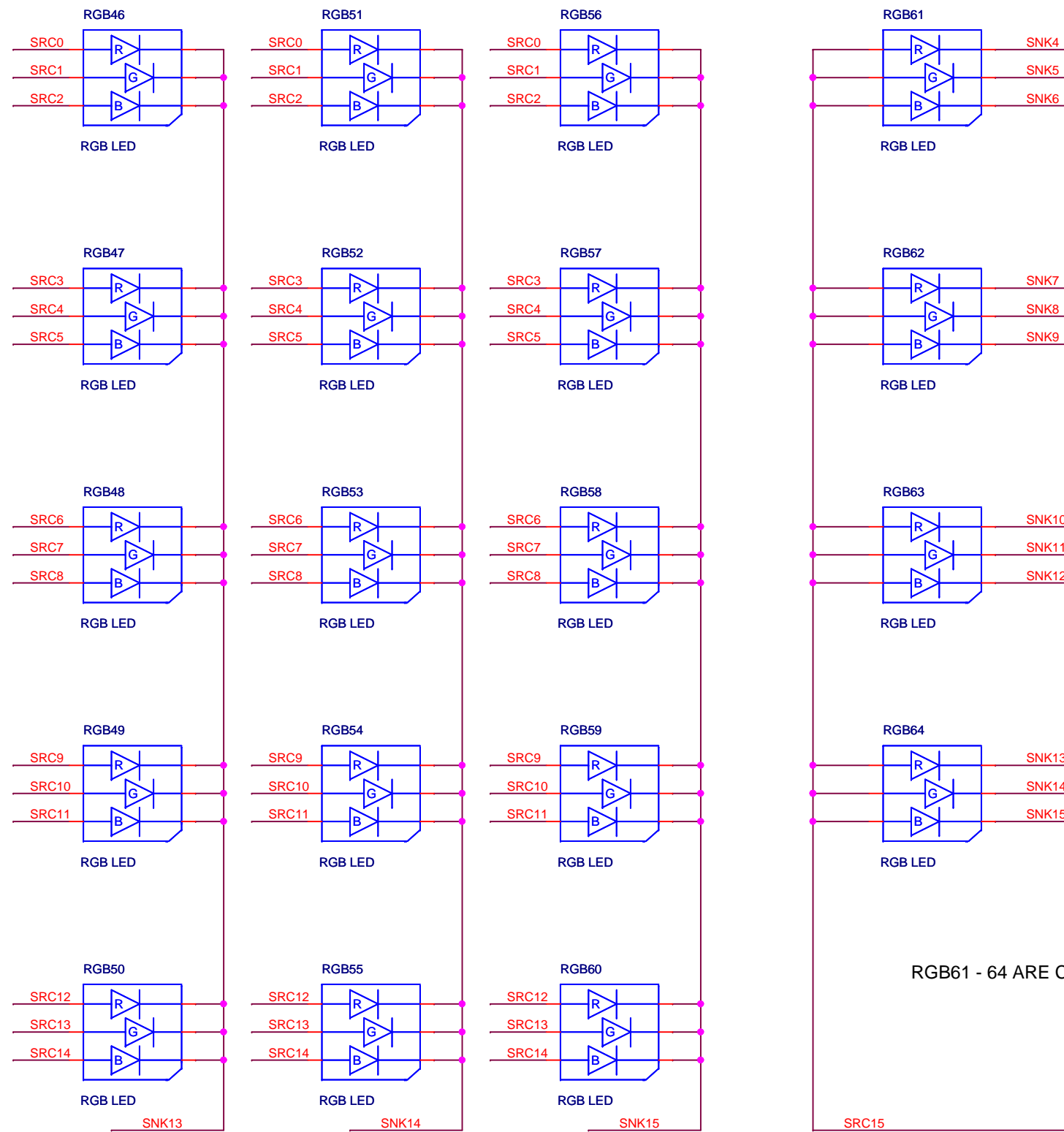
SRC[0..15]

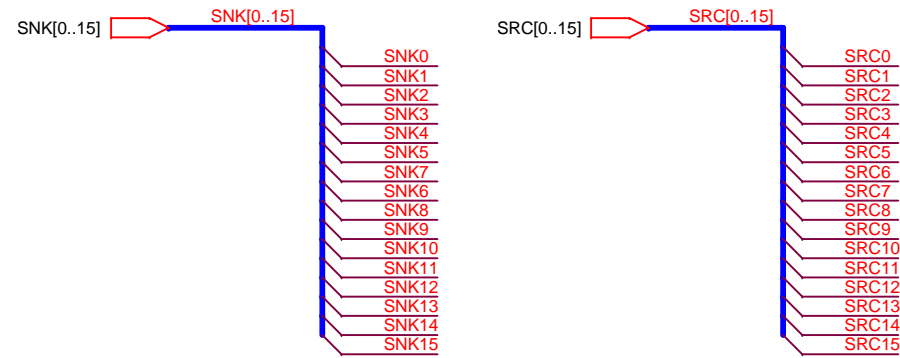
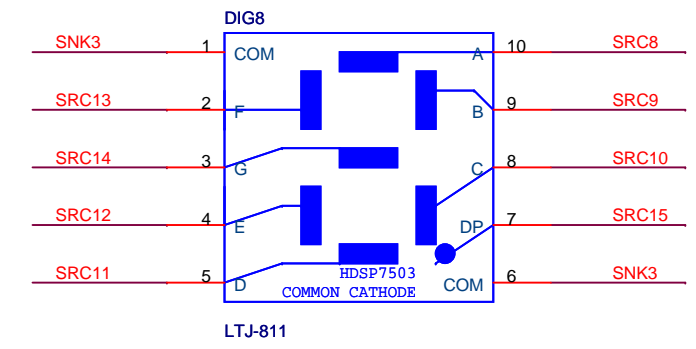
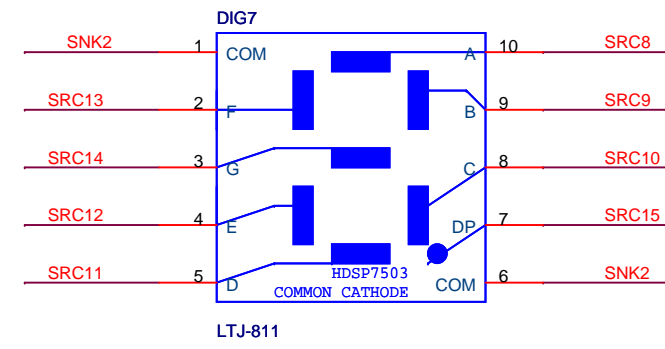
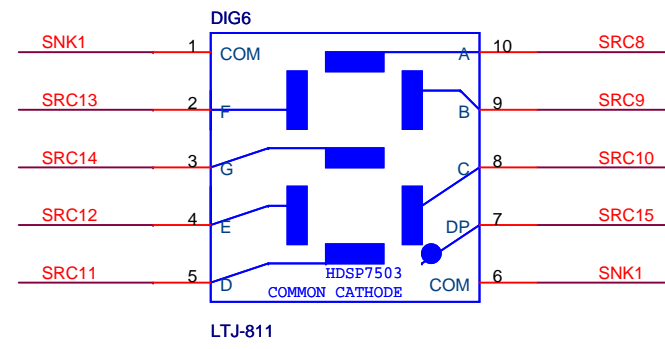
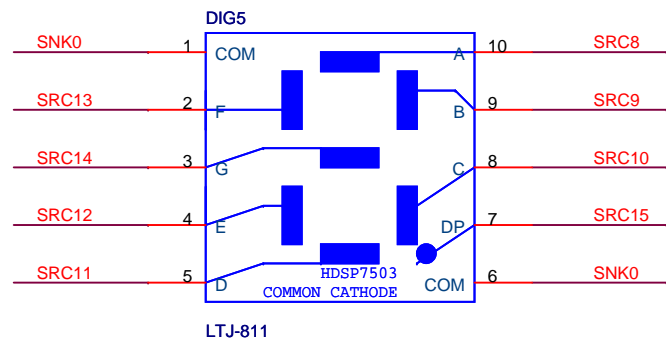
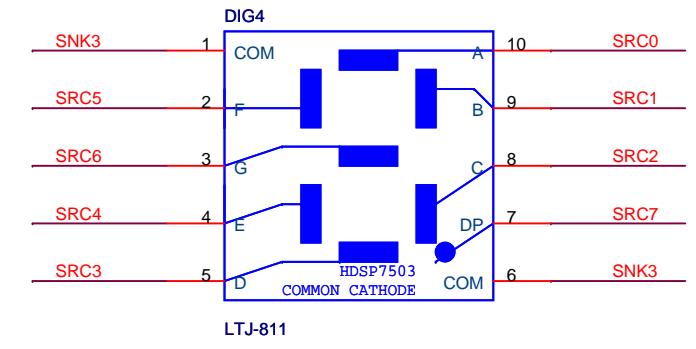
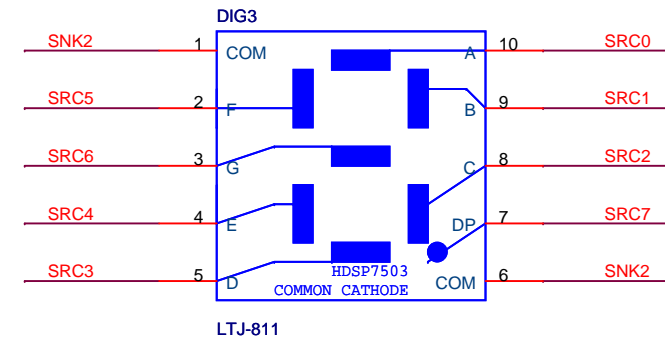
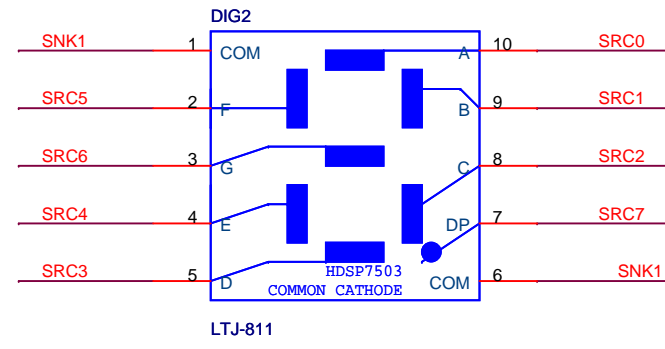
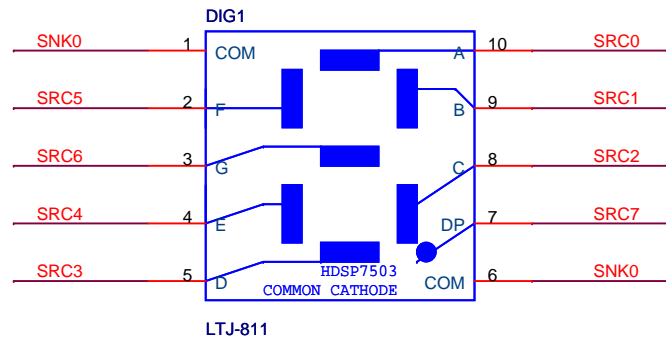
SNK[0..15]



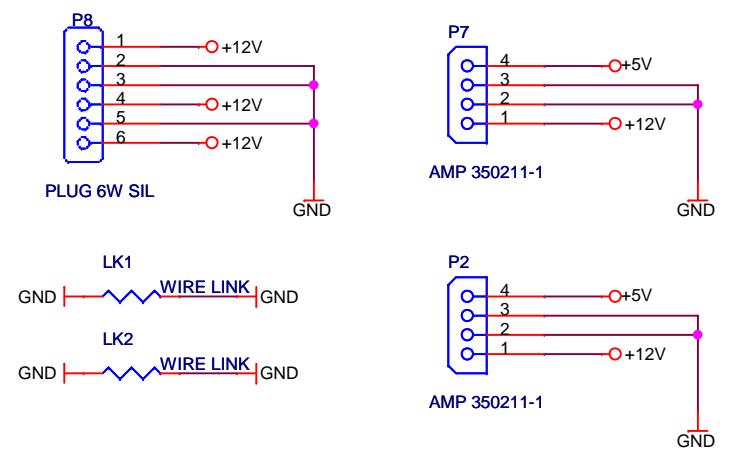
Copyright Heber Ltd 2008 - www.heber.co.uk		
Title Xluminare Evaluation Board (RGB Version) - Root Sheet		
Size A4	Document Number 56-20466	Rev 1
Date:	Friday, October 24, 2008	Sheet 1 of 5



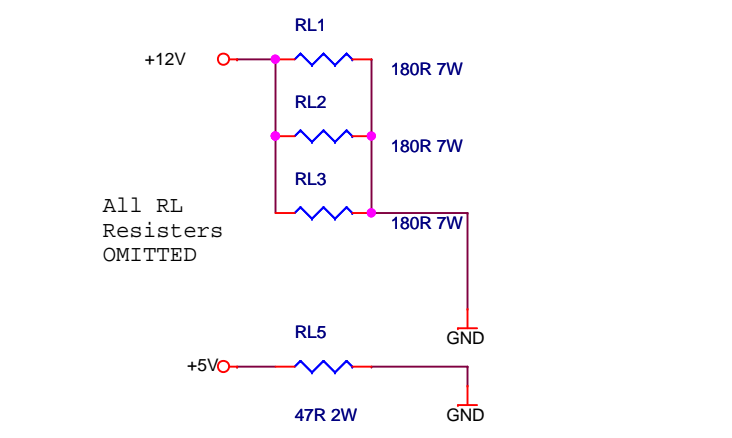




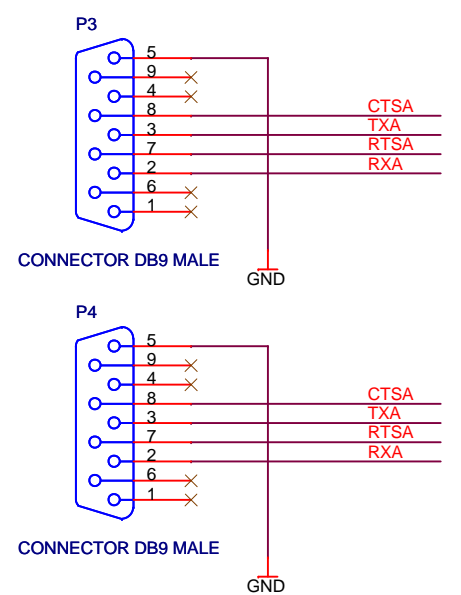
D



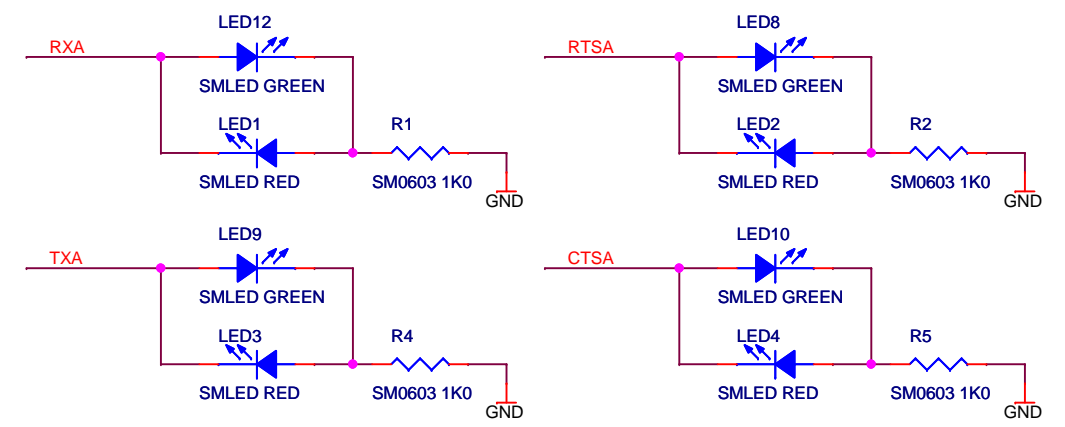
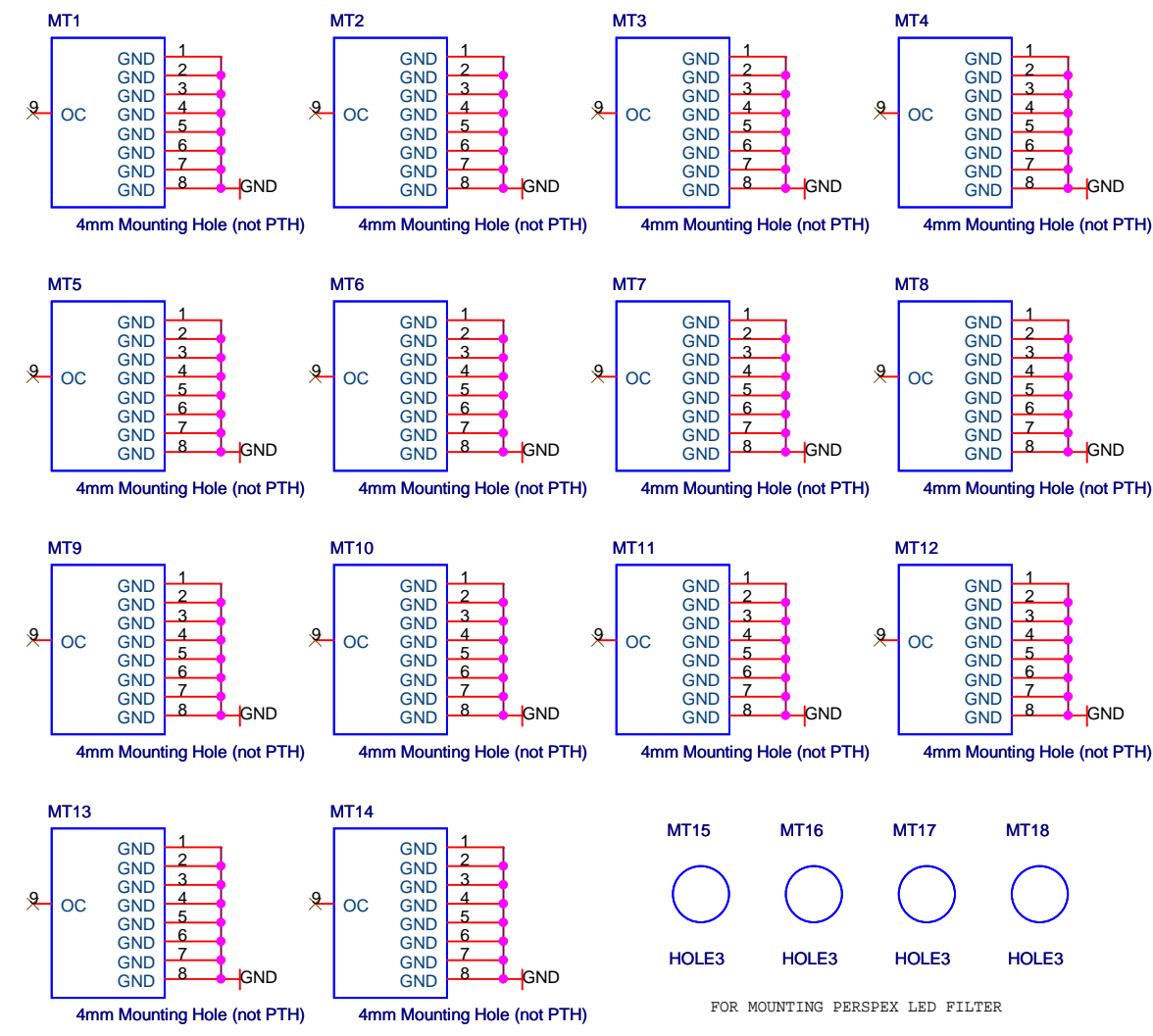
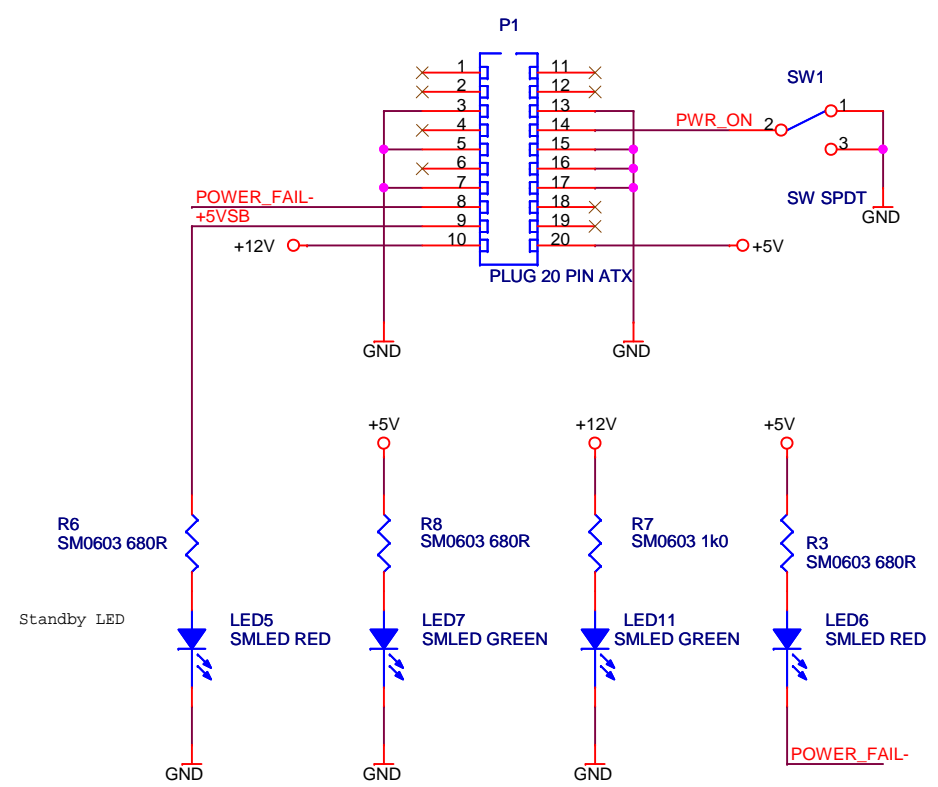
C



B



A



Title Xluminate Evaluation Board (RGB Version) - Power / RS232		
Size A3	Document Number 56-20466	Rev 1
Date: Tuesday, November 04, 2008	Sheet 5	of 5